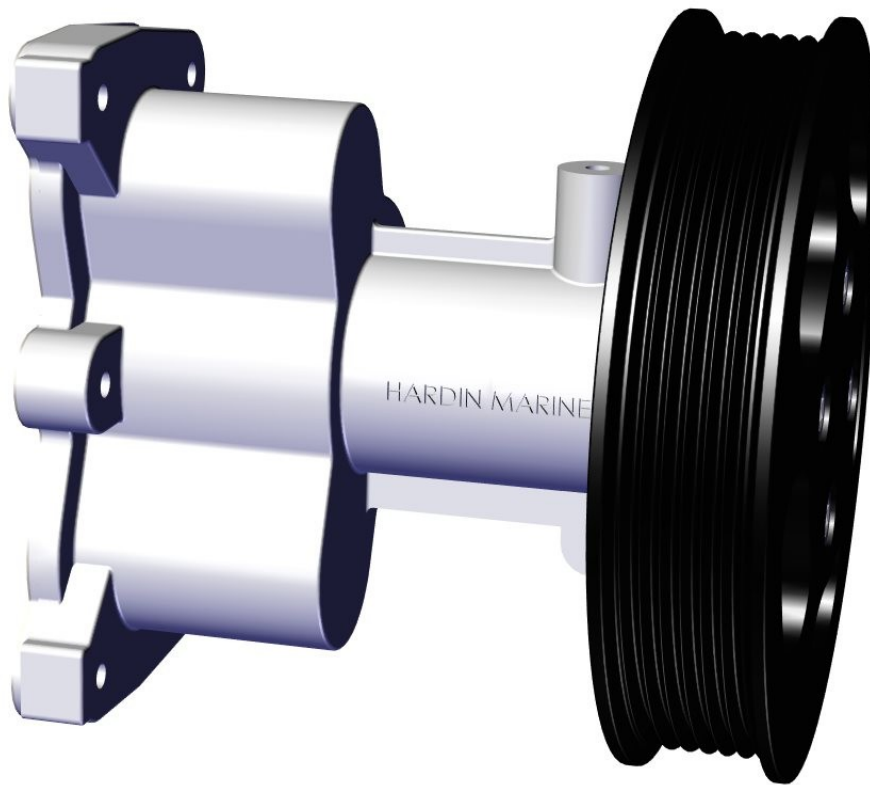




**GEN 7 PLUS SEA PUMP  
w/ BILLET PULLEY**  
625-4131



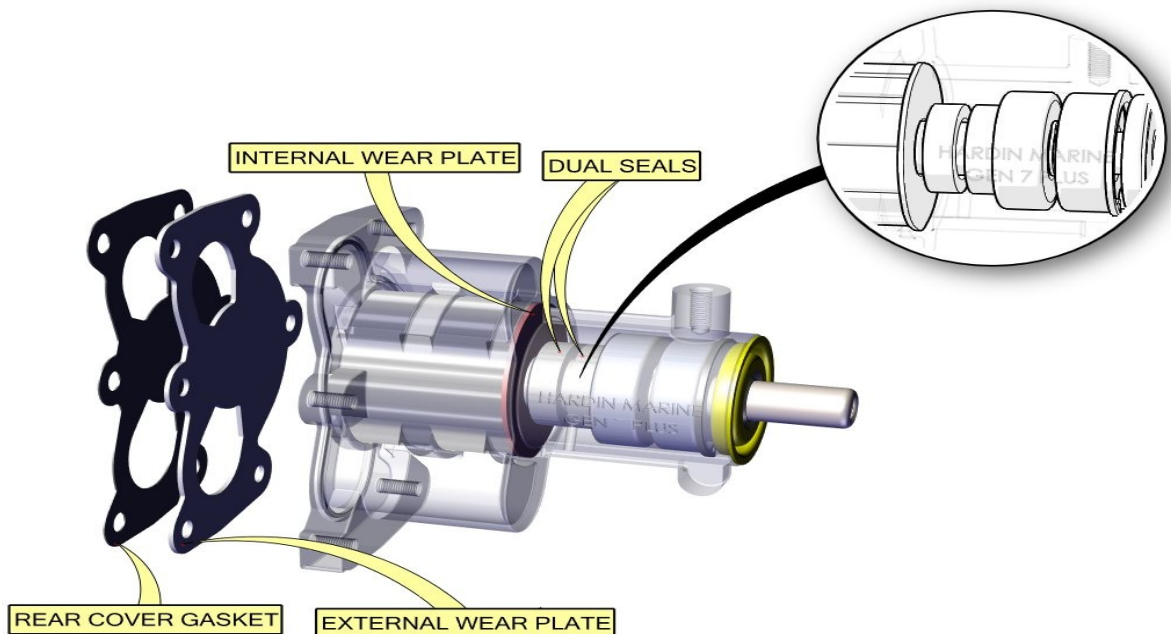


# GEN 7 PLUS SEA PUMP w/ BILLET PULLEY

625-4131

## HARDIN MARINE ADVANTAGE

- 316 STAINLESS STEEL POLISHED BODY.
- INTERNAL WEAR PLATE DESIGN PROVIDES A LIFETIME OF SERVICE.
- EXTERNAL WEAR PLATE ALLOWS STOCK REAR COVER TO BE REUSED REGARDLESS OF PREVIOUS WEAR DAMAGE.
- 20% LARGER PUMP SHAFT ACCEPTS MOST POPULAR OEM MERCRUISER IMPELLERS
- 40% LARGER BEARINGS FOR INCREASED LONGEVITY.
- DUAL SHAFT SEALS WITH WATER WEEP HOLE.
- BILLET ALUMINUM BLACK ANODIZED SERPENTINE PULLEY



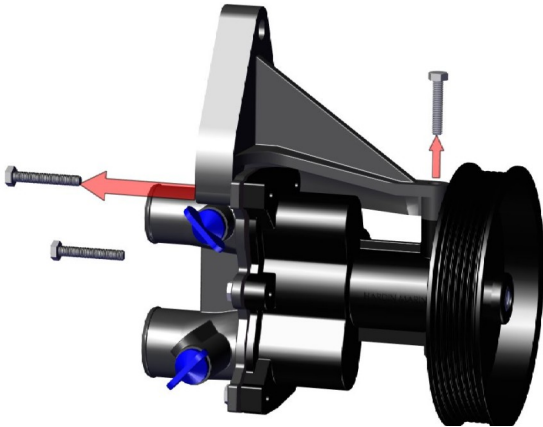


# GEN 7 PLUS SEA PUMP w/ BILLET PULLEY

625-4131

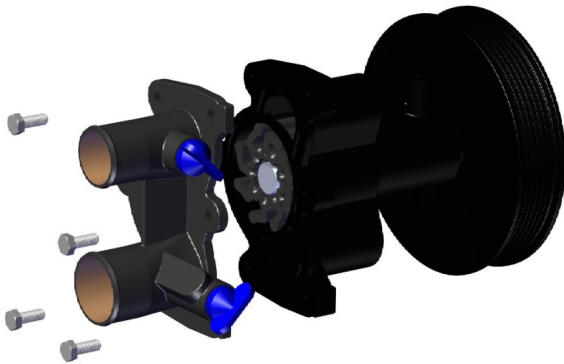
## Step 1

1. Remove the belt.
2. Remove both hoses from the pump.
3. Using a 10 mm socket, remove the 3 bolts as shown.



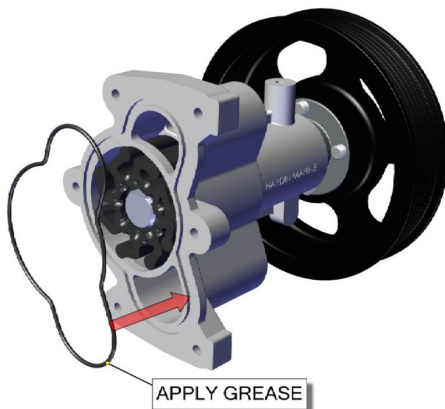
## Step 2

1. Using 10 mm socket remove the remaining 4 bolts as shown.
2. Save the rear cover.



## Step 3

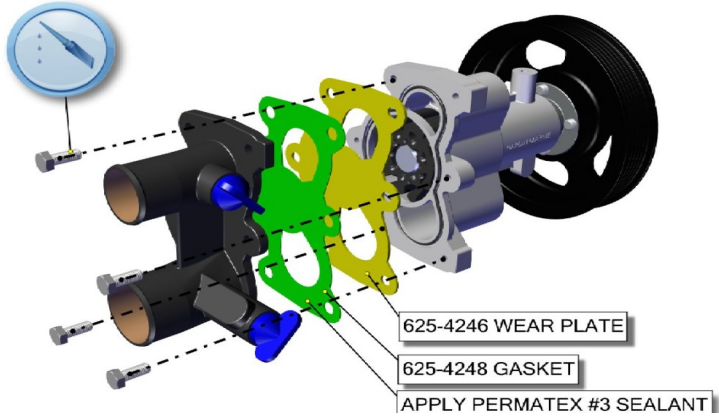
1. Apply white lithium grease to the o-ring and install into the new pump housing groove.
2. Apply whiter lithium grease on the end of the impeller.





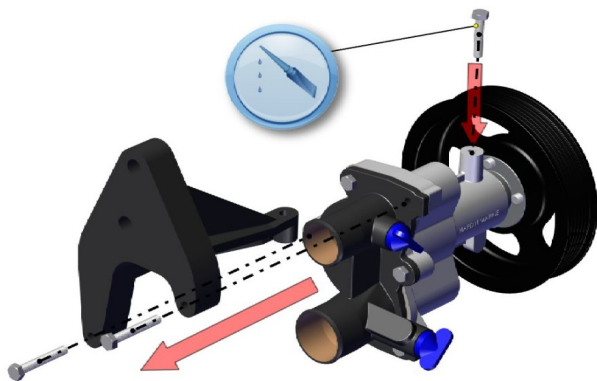
# GEN 7 PLUS SEA PUMP w/ BILLET PULLEY

625-4131



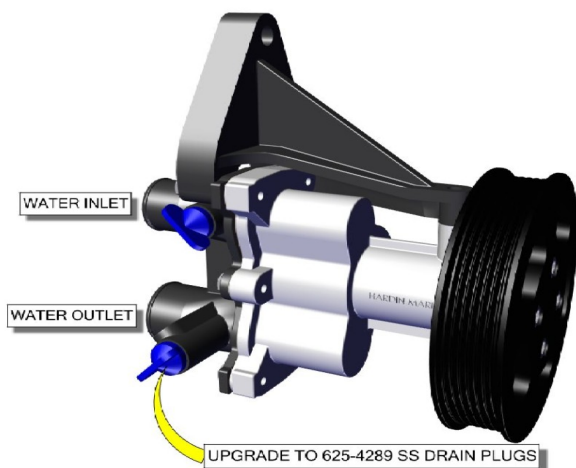
## Step 4

1. Apply Permatex #3 sealant to both sides of gasket, as shown.
2. Apply anti-sieze to the 4 rear cover bolts.
3. Install rear cover, gasket & wear plate as shown.
4. Lightly tighten the bolts.



## Step 5

1. Apply anti-sieze to the remaining 3 bolts.
2. Install pump as shown.
3. Torque all 7 bolts to 6 ft. lbs..



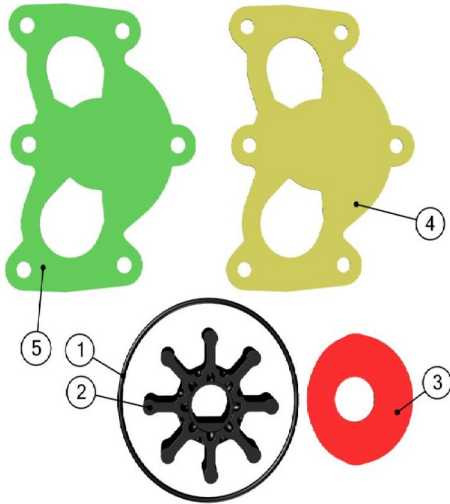
## Step 6

1. Attach hoses and belt. Check belt alignment.
2. As a preventive maintenance, replace the plastic Mercury drain plugs with Hardin stainless steel drain plugs.



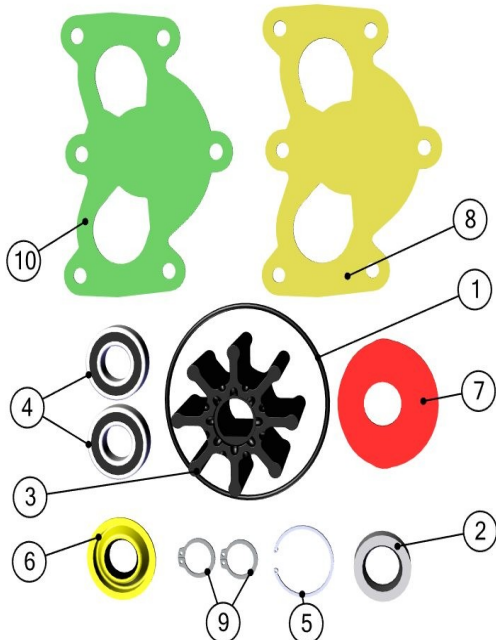
# GEN 7 PLUS SEA PUMP w/ BILLET PULLEY 625-4131

## REPLACEMENT REBUILD KITS



625-4203 STANDARD REBUILD KIT

#	PART #	DESCRIPTION	QTY
1	625-1053	ORING	1
2	625-4011	IMPELLER	1
3	625-4245	WEAR PLATE-INT.	1
4	625-4246	WEAR PLATE-REAR	1
5	625-4248	GASKET	1



625-4133 MASTER REBUILD KIT

#	PART #	DESCRIPTION	QTY
1	625-1153	ORING	1
2	625-4005	SEAL	2
3	625-4011	IMPELLER	1
4	625-4302	BEARING	2
5	625-4305	SNAP RING	1
6	625-4304	SEAL	1
7	625-4245	WEAR PLATE-INT	1
8	625-4246	WEAR PLATE-REAR	1
9	625-4302	SNAP RING	2
10	625-4248	GASKET	1